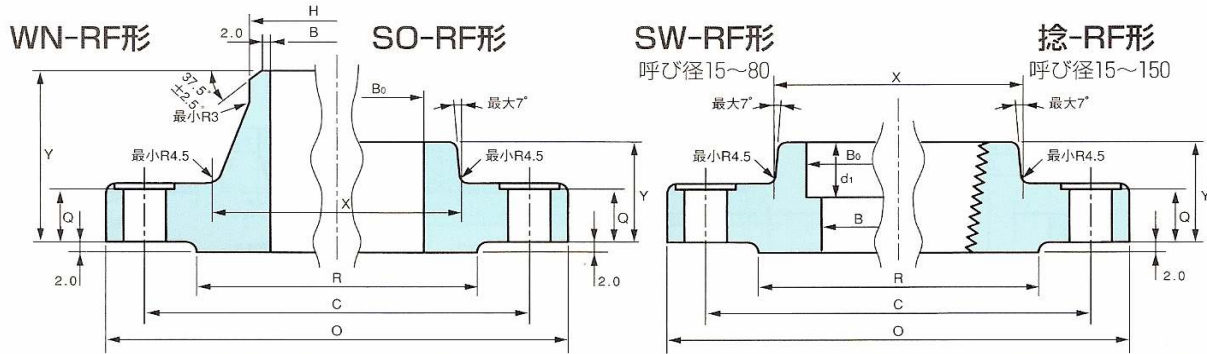


■ JPI規格フランジ

JPI-7S-15-2005



ガスケット面仕上げは、JPI規格では中心線平均粗さの区分値でクラス150-300は6.3Ra。ASME規格では全クラス共通で125-500uin。(半径1.6mmの円形先端を持つ切削バイトで歩み1.0-0.6mm、深さ0.08-0.03mmのU字形のミゾを渦巻き状または同心円状に切る。1インチ当たり24-40ミゾ)

クラス150 PN20

単位 : mm

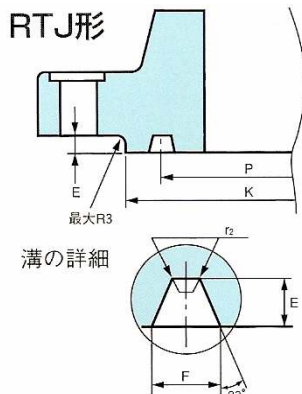
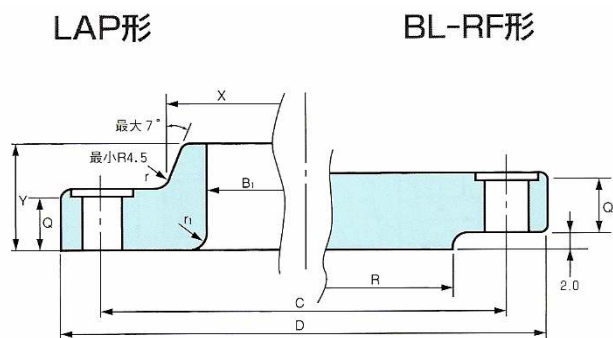
| 呼び径 | JPI規格 | | | | | | | ASME規格 (参考) | | | | | JPI規格 | | | | | | | |
|-------|----------|-------|----------------|----------------|-------|-------|-------|-------------|----------|-------|---------|-------|-------|-------|-----|-------|------|------|--------|------|
| | SO SW 内径 | | L A P 内径 | SW,WN内径 | | | ハブ先の径 | SO SW 内径 | L A P 内径 | | SW,WN内径 | | | ハブ先の径 | 外径 | ハブ元の径 | 座径 | 厚み | 厚み LAP | 隅の半径 |
| | A | B | B ₀ | B ₁ | S40 | S80 | | | S160 | STD | XS | XXS | B | | | | | | | |
| 15 | 1/2 | 22.2 | 23.4 | 16.1 | 14.3 | 12.3 | 21.7 | 22.2 | 22.9 | 15.8 | 13.8 | 6.5 | 21.3 | 90 | 30 | 34.9 | 9.6 | 11.2 | 3 | |
| 20 | 3/4 | 27.7 | 28.9 | 21.4 | 19.4 | 16.2 | 27.2 | 27.7 | 28.2 | 20.9 | 18.9 | 11.1 | 26.7 | 100 | 38 | 42.9 | 11.2 | 12.7 | 3 | |
| 25 | 1 | 34.5 | 35.6 | 27.2 | 25.0 | 21.2 | 34.0 | 34.5 | 34.9 | 26.6 | 24.3 | 15.2 | 33.4 | 110 | 49 | 50.8 | 12.7 | 14.3 | 3 | |
| (32) | 1 1/4 | 43.2 | 44.3 | 35.5 | 32.9 | 29.9 | 42.7 | 43.2 | 43.7 | 35.1 | 32.5 | 22.8 | 42.2 | 115 | 59 | 63.5 | 14.3 | 15.9 | 5 | |
| 40 | 1 1/2 | 49.1 | 50.4 | 41.2 | 38.4 | 34.4 | 48.6 | 49.5 | 50.0 | 40.9 | 38.1 | 28.0 | 48.3 | 125 | 65 | 73.0 | 15.9 | 17.5 | 6 | |
| 50 | 2 | 61.1 | 62.7 | 52.7 | 49.5 | 43.1 | 60.5 | 61.9 | 62.5 | 52.5 | 49.2 | 38.3 | 60.3 | 150 | 78 | 92.1 | 17.5 | 19.1 | 8 | |
| 65 | 2 1/2 | 77.1 | 78.7 | 65.9 | 62.3 | 57.3 | 76.3 | 74.6 | 75.4 | 62.7 | 59.0 | 45.1 | 73.0 | 180 | 90 | 104.8 | 20.7 | 22.3 | 8 | |
| 80 | 3 | 90.0 | 91.6 | 78.1 | 73.9 | 66.9 | 89.1 | 90.7 | 91.4 | 77.9 | 73.7 | 58.4 | 88.9 | 190 | 108 | 127.0 | 22.3 | 23.9 | 10 | |
| (90) | 3 1/2 | 102.6 | 104.1 | 90.2 | 85.4 | 76.2 | 101.6 | 103.4 | 104.1 | 90.1 | 85.4 | 69.3 | 101.6 | 215 | 122 | 139.7 | 22.3 | 23.9 | 10 | |
| 100 | 4 | 115.4 | 116.9 | 102.3 | 97.1 | 87.3 | 114.3 | 116.1 | 116.8 | 102.3 | 97.2 | 80.1 | 114.3 | 230 | 135 | 157.2 | 22.3 | 23.9 | 11 | |
| (125) | 5 | 141.2 | 143.0 | 126.6 | 120.8 | 108.0 | 139.8 | 143.8 | 144.4 | 128.2 | 122.3 | 103.2 | 141.3 | 255 | 164 | 185.7 | 22.3 | 23.9 | 11 | |
| 150 | 6 | 166.6 | 168.4 | 151.0 | 143.2 | 128.8 | 165.2 | 170.7 | 171.4 | 154.1 | 146.3 | 124.4 | 168.3 | 280 | 192 | 215.9 | 23.9 | 25.4 | 13 | |
| 200 | 8 | 218.0 | 219.5 | 199.9 | 190.9 | 170.3 | 216.3 | 221.5 | 222.2 | 202.7 | 193.7 | 174.6 | 219.1 | 345 | 246 | 269.9 | 27.0 | 28.6 | 13 | |
| 250 | 10 | 269.5 | 271.7 | 248.8 | 237.2 | 210.2 | 267.4 | 276.2 | 277.4 | 254.6 | 247.6 | - | 273.0 | 405 | 305 | 323.8 | 28.6 | 30.2 | 13 | |
| 300 | 12 | 321.0 | 322.8 | 297.9 | 283.7 | 251.9 | 318.5 | 327.0 | 328.2 | 304.8 | 298.4 | - | 323.8 | 485 | 365 | 381.0 | 30.2 | 31.8 | 13 | |
| 350 | 14 | 358.1 | 360.2 | 333.4 | 317.6 | 284.2 | 355.6 | 359.2 | 360.2 | 336.6 | 330.2 | - | 355.6 | 535 | 400 | 412.8 | 33.4 | 35.0 | 13 | |
| 400 | 16 | 409.0 | 411.2 | 381.0 | 363.6 | 325.4 | 406.4 | 410.5 | 411.2 | 387.4 | 381.0 | - | 406.4 | 595 | 457 | 469.9 | 35.0 | 36.6 | 13 | |
| 450 | 18 | 460.0 | 462.3 | 428.6 | 409.6 | 366.8 | 457.2 | 461.8 | 462.3 | 438.2 | 431.8 | - | 457.0 | 635 | 505 | 533.4 | 38.1 | 39.7 | 13 | |
| 500 | 20 | 511.0 | 514.4 | 477.8 | 455.6 | 408.0 | 508.0 | 513.1 | 514.4 | 489.0 | 482.6 | - | 508.0 | 700 | 559 | 584.2 | 41.3 | 42.9 | 13 | |
| 550 | 22 | 564.4 | - | 527.0 | 501.6 | 450.8 | 558.8 | - | - | - | - | - | - | 749 | 616 | 641.4 | 46.0 | 46.0 | - | |
| 600 | 24 | 613.0 | 616.0 | 574.6 | 547.6 | 490.6 | 609.6 | 616.0 | 616.0 | 590.6 | 584.2 | - | 610.0 | 815 | 663 | 692.2 | 46.1 | 47.7 | 13 | |

クラス300 PN50

単位 : mm

| 呼び径 | JPI規格 | | | | | | | ASME規格 (参考) | | | | | JPI規格 | | | | | | | |
|-------|----------|-------|----------------|----------------|-------|-------|-------|-------------|----------|-------|---------|-------|-------|-------|-----|-------|------|------|--------|------|
| | SO SW 内径 | | L A P 内径 | SW,WN内径 | | | ハブ先の径 | SO SW 内径 | L A P 内径 | | SW,WN内径 | | | ハブ先の径 | 外径 | ハブ元の径 | 座径 | 厚み | 厚み LAP | 隅の半径 |
| | A | B | B ₀ | B ₁ | S40 | S80 | | | S160 | STD | XS | XXS | B | | | | | | | |
| 15 | 1/2 | 22.2 | 23.4 | 16.1 | 14.3 | 12.3 | 21.7 | 22.2 | 22.9 | 15.8 | 13.8 | 6.5 | 21.3 | 95 | 38 | 34.9 | 12.7 | 14.3 | 3 | |
| 20 | 3/4 | 27.7 | 28.9 | 21.4 | 19.4 | 16.2 | 27.2 | 27.7 | 28.2 | 20.9 | 18.9 | 11.1 | 26.7 | 115 | 48 | 42.9 | 14.3 | 15.9 | 3 | |
| 25 | 1 | 34.5 | 35.6 | 27.2 | 25.0 | 21.2 | 34.0 | 34.5 | 34.9 | 26.6 | 24.3 | 15.2 | 33.4 | 125 | 54 | 50.8 | 15.9 | 17.5 | 3 | |
| (32) | 1 1/4 | 43.2 | 44.3 | 35.5 | 32.9 | 29.9 | 42.7 | 43.2 | 43.7 | 35.1 | 32.5 | 22.8 | 42.2 | 135 | 64 | 63.5 | 17.5 | 19.1 | 5 | |
| 40 | 1 1/2 | 49.1 | 50.4 | 41.2 | 38.4 | 34.4 | 48.6 | 49.5 | 50.0 | 40.9 | 38.1 | 28.0 | 48.3 | 155 | 70 | 73.0 | 19.1 | 20.7 | 6 | |
| 50 | 2 | 61.1 | 62.7 | 52.7 | 49.5 | 43.1 | 60.5 | 61.9 | 62.5 | 52.5 | 49.2 | 38.3 | 60.3 | 165 | 84 | 92.1 | 20.7 | 22.3 | 8 | |
| 65 | 2 1/2 | 77.1 | 78.7 | 65.9 | 62.3 | 57.3 | 76.3 | 74.6 | 75.4 | 62.7 | 59.0 | 45.1 | 73.0 | 190 | 100 | 104.8 | 23.9 | 25.4 | 8 | |
| 80 | 3 | 90.0 | 91.6 | 78.1 | 73.9 | 66.9 | 89.1 | 90.7 | 91.4 | 77.9 | 73.7 | 58.4 | 88.9 | 210 | 117 | 127.0 | 27.0 | 28.6 | 10 | |
| (90) | 3 1/2 | 102.6 | 104.1 | 90.2 | 85.4 | 76.2 | 101.6 | 103.4 | 104.1 | 90.1 | 85.4 | 69.3 | 101.6 | 230 | 133 | 139.7 | 28.6 | 30.2 | 10 | |
| 100 | 4 | 115.4 | 116.9 | 102.3 | 97.1 | 87.3 | 114.3 | 116.1 | 116.8 | 102.3 | 97.2 | 80.1 | 114.3 | 255 | 146 | 157.2 | 30.2 | 31.8 | 11 | |
| (125) | 5 | 141.2 | 143.0 | 126.6 | 120.8 | 108.0 | 139.8 | 143.8 | 144.4 | 128.2 | 122.3 | 103.2 | 141.3 | 280 | 178 | 185.7 | 33.4 | 35.0 | 11 | |
| 150 | 6 | 166.6 | 168.4 | 151.0 | 143.2 | 128.8 | 165.2 | 170.7 | 171.4 | 154.1 | 146.3 | 124.4 | 168.3 | 320 | 206 | 215.9 | 35.0 | 36.6 | 13 | |
| 200 | 8 | 218.0 | 219.5 | 199.9 | 190.9 | 170.3 | 216.3 | 221.5 | 222.2 | 202.7 | 193.7 | 174.6 | 219.1 | 380 | 260 | 269.9 | 39.7 | 41.3 | 13 | |
| 250 | 10 | 269.5 | 271.7 | 248.8 | 237.2 | 210.2 | 267.4 | 276.2 | 277.4 | 254.6 | 247.6 | - | 273.0 | 445 | 321 | 323.8 | 46.1 | 47.7 | 13 | |
| 300 | 12 | 321.0 | 322.8 | 297.9 | 283.7 | 251.9 | 318.5 | 327.0 | 328.2 | 304.8 | 298.4 | - | 323.8 | 520 | 375 | 381.0 | 49.3 | 50.8 | 13 | |
| 350 | 14 | 358.1 | 360.2 | 333.4 | 317.6 | 284.2 | 355.6 | 359.2 | 360.2 | 336.6 | 330.2 | - | 355.6 | 585 | 425 | 412.8 | 52.4 | 54.0 | 13 | |
| 400 | 16 | 409.0 | 411.2 | 381.0 | 363.6 | 325.4 | 406.4 | 410.5 | 411.2 | 387.4 | 381.0 | - | 406.4 | 650 | 483 | 469.9 | 55.6 | 57.2 | 13 | |
| 450 | 18 | 460.0 | 462.3 | 428.6 | 409.6 | 366.8 | 457.2 | 461.8 | 462.3 | 438.2 | 431.8 | - | 457.0 | 710 | 533 | 533.4 | 58.8 | 60.4 | 13 | |
| 500 | 20 | 511.0 | 514.4 | 477.8 | 455.6 | 408.0 | 508.0 | 513.1 | 514.4 | 489.0 | 482.6 | - | 508.0 | 775 | 587 | 584.2 | 62.0 | 63.5 | 13 | |
| 550 | 22 | 564.4 | - | 527.0 | 501.6 | 450.8 | 558.8 | - | - | - | - | - | - | 838 | 641 | 641.4 | 66.6 | 66.6 | - | |
| 600 | 24 | 613.0 | 616.0 | 574.6 | 547.6 | 490.6 | 609.6 | 616.0 | 616.0 | 590.6 | 584.2 | - | 610.0 | 915 | 702 | 692.2 | 68.3 | 69.9 | 13 | |

- 備考 1. SW, WN形の径寸法 (B) は、注文者の指定による。
 2. ねじ込み形フランジはクラス150呼び径15~150までを規定しそのねじの種類はJIS B 0203のRCとする。
 3. SW, WNの重量はスケジュール80の場合を示す。



参考

ボルト穴径のJPIとASME規格との相違は下表の通り

| | | | |
|------|------|------|------|
| JPI | 16 | 19 | 22 |
| ASME | 15.8 | 19.1 | 22.4 |
| JPI | 26 | 29 | 32 |
| ASME | 25.4 | 28.5 | 31.8 |
| JPI | 35 | 39 | 42 |
| ASME | 35.1 | 38.1 | 41.2 |
| JPI | 45 | 48 | 51 |
| ASME | 44.5 | 47.8 | 50.8 |
| JPI | 54 | 61 | 67 |
| ASME | 53.9 | 60.5 | 66.6 |
| JPI | 74 | 80 | 93 |
| ASME | 73.2 | 79.2 | 91.9 |

クラス150 PN20

単位 : mm

| J P I 規格 | | | | | | | | | | | | | 重 量 (kg) | | | | | 呼 び 径 | |
|------------|-----|-----|------------------------------|-------|----------|----|-----------|-----------------|----------|-----------|--------|--------|----------|---------|-------|------|-------|-------|-------|
| 全長 | | | ソケット 深さ d ₁ | ボルト穴 | | | リングジョイント座 | | | | | | WN | SO 捻 | BL | SW | LAP | A | B |
| SO,SW 捻 | LAP | WN | | Y | 中心径 C | 数 | 径 | 座径 (最小) K | 中心径 P | リング 番号 | 深 E | 幅 F | | | | | | | |
| 14 | 16 | 46 | 10 | 60.3 | 4 | 16 | - | - | - | - | - | - | 0.51 | 0.41 | 0.43 | 0.42 | 0.46 | 15 | 1/2 |
| 14 | 16 | 51 | 11 | 69.9 | 4 | 16 | - | - | - | - | - | - | 0.76 | 0.59 | 0.64 | 0.60 | 0.65 | 20 | 3/4 |
| 16 | 17 | 54 | 13 | 79.4 | 4 | 16 | 63.5 | 47.63 | R15 | 6.35 | 8.74 | 0.8 | 1.07 | 0.79 | 0.87 | 0.81 | 0.86 | 25 | 1 |
| 19 | 21 | 56 | 14 | 88.9 | 4 | 16 | 73.0 | 57.15 | R17 | 6.35 | 8.74 | 0.8 | 1.39 | 1.03 | 1.16 | 1.06 | 1.10 | (32) | 1 1/4 |
| 21 | 22 | 60 | 16 | 98.4 | 4 | 16 | 82.5 | 65.07 | R19 | 6.35 | 8.74 | 0.8 | 1.84 | 1.36 | 1.58 | 1.39 | 1.43 | 40 | 1 1/2 |
| 24 | 25 | 62 | 17 | 120.7 | 4 | 19 | 102 | 82.55 | R22 | 6.35 | 8.74 | 0.8 | 2.74 | 2.10 | 2.47 | 2.15 | 2.20 | 50 | 2 |
| 27 | 29 | 68 | 19 | 139.7 | 4 | 19 | 121 | 101.60 | R25 | 6.35 | 8.74 | 0.8 | 4.28 | 3.25 | 4.00 | 3.37 | 3.40 | 65 | 2 1/2 |
| 29 | 30 | 68 | 21 | 152.4 | 4 | 19 | 133 | 114.30 | R29 | 6.35 | 8.74 | 0.8 | 5.20 | 3.87 | 4.95 | 4.02 | 4.00 | 80 | 3 |
| 30 | 32 | 70 | 22 | 177.8 | 8 | 19 | 154 | 131.78 | R33 | 6.35 | 8.74 | 0.8 | 6.49 | 4.89 | 6.42 | - | 5.06 | (90) | 3 1/2 |
| 32 | 33 | 75 | 24 | 190.5 | 8 | 19 | 171 | 149.23 | R36 | 6.35 | 8.74 | 0.8 | 7.45 | 5.38 | 7.09 | - | 5.55 | 100 | 4 |
| 35 | 36 | 87 | 24 | 215.9 | 8 | 22 | 194 | 171.45 | R40 | 6.35 | 8.74 | 0.8 | 9.62 | 6.29 | 8.72 | - | 6.43 | (125) | 5 |
| 38 | 40 | 87 | 27 | 241.3 | 8 | 22 | 219 | 193.68 | R43 | 6.35 | 8.74 | 0.8 | 12.1 | 7.77 | 11.4 | - | 7.89 | 150 | 6 |
| 43 | 44 | 100 | 32 | 298.4 | 8 | 22 | 273 | 247.65 | R48 | 6.35 | 8.74 | 0.8 | 20.1 | 12.4 | 19.6 | - | 12.6 | 200 | 8 |
| 48 | 49 | 100 | 33 | 362.0 | 12 | 26 | 330 | 304.80 | R52 | 6.35 | 8.74 | 0.8 | 28.0 | 17.6 | 29.1 | - | 17.8 | 250 | 10 |
| 54 | 56 | 113 | 40 | 431.8 | 12 | 26 | 406 | 381.00 | R56 | 6.35 | 8.74 | 0.8 | 43.5 | 27.7 | 43.8 | - | 28.1 | 300 | 12 |
| 56 | 79 | 125 | 41 | 476.3 | 12 | 29 | 425 | 396.88 | R59 | 6.35 | 8.74 | 0.8 | 58.0 | 35.3 | 59.0 | - | 40.2 | 350 | 14 |
| 62 | 87 | 125 | 45 | 539.8 | 16 | 29 | 483 | 454.02 | R64 | 6.35 | 8.74 | 0.8 | 72.0 | 44.9 | 77.0 | - | 52.0 | 400 | 16 |
| 67 | 97 | 138 | 49 | 577.9 | 16 | 32 | 546 | 517.53 | R68 | 6.35 | 8.74 | 0.8 | 88.0 | 49.3 | 94.0 | - | 58.0 | 450 | 18 |
| 71 | 103 | 143 | 54 | 635.0 | 20 | 32 | 597 | 558.80 | R72 | 6.35 | 8.74 | 0.8 | 111.0 | 63.0 | 123.0 | - | 73.0 | 500 | 20 |
| 79 | - | 149 | - | 692.2 | 20 | 35 | 648 | 615.95 | R80 | 6.35 | 8.74 | 0.8 | 130.0 | 73.0 | 151.0 | - | - | 550 | 22 |
| 81 | 111 | 151 | 64 | 749.3 | 20 | 35 | 771 | 673.10 | R76 | 6.35 | 8.74 | 0.8 | 159.0 | 89.0 | 188.0 | - | 101.0 | 600 | 24 |

クラス300 PN50

| J P I 規格 | | | | | | | | | | | | | 重 量 (kg) | | | | | 呼 び 径 | |
|------------|-----|-----|------------------------------|-------|----------|----|-----------|-----------------|----------|-----------|--------|--------|----------|---------|-------|------|-------|-------|-------|
| 全長 | | | ソケット 深さ d ₁ | ボルト穴 | | | リングジョイント座 | | | | | | WN | SO 捻 | BL | SW | LAP | A | B |
| SO,SW 捻 | LAP | WN | | Y | 中心径 C | 数 | 径 | 座径 (最小) K | 中心径 P | リング 番号 | 深 E | 幅 F | | | | | | | |
| 21 | 22 | 51 | 10 | 66.7 | 4 | 16 | 51.0 | 34.14 | R11 | 5.54 | 7.14 | 0.8 | 0.77 | 0.65 | 0.65 | 0.67 | 0.71 | 15 | 1/2 |
| 24 | 25 | 56 | 11 | 82.6 | 4 | 19 | 63.5 | 42.88 | R13 | 6.35 | 8.74 | 0.8 | 1.30 | 1.11 | 1.11 | 1.14 | 1.20 | 20 | 3/4 |
| 25 | 27 | 60 | 13 | 88.9 | 4 | 19 | 70.0 | 50.80 | R16 | 6.35 | 8.74 | 0.8 | 1.68 | 1.39 | 1.43 | 1.44 | 1.49 | 25 | 1 |
| 25 | 27 | 64 | 14 | 98.4 | 4 | 19 | 79.5 | 60.33 | R18 | 6.35 | 8.74 | 0.8 | 2.14 | 1.70 | 1.83 | 1.77 | 1.81 | (32) | 1 1/4 |
| 29 | 30 | 67 | 16 | 114.3 | 4 | 22 | 90.5 | 68.27 | R20 | 6.35 | 8.74 | 0.8 | 3.03 | 2.51 | 2.69 | 2.60 | 2.66 | 40 | 1 1/2 |
| 32 | 33 | 68 | 17 | 127.0 | 8 | 19 | 108 | 82.55 | R23 | 7.92 | 11.91 | 0.8 | 3.59 | 2.91 | 3.22 | 3.00 | 3.02 | 50 | 2 |
| 37 | 38 | 75 | 19 | 149.2 | 8 | 22 | 127 | 101.60 | R26 | 7.92 | 11.91 | 0.8 | 5.32 | 4.22 | 4.86 | 4.46 | 4.37 | 65 | 2 1/2 |
| 41 | 43 | 78 | 21 | 168.3 | 8 | 22 | 146 | 123.83 | R31 | 7.92 | 11.91 | 0.8 | 7.28 | 5.88 | 6.83 | 6.24 | 6.04 | 80 | 3 |
| 43 | 44 | 79 | - | 184.2 | 8 | 22 | 159 | 131.78 | R34 | 7.92 | 11.91 | 0.8 | 9.20 | 7.44 | 8.85 | - | 7.64 | (90) | 3 1/2 |
| 46 | 48 | 84 | - | 200.0 | 8 | 22 | 175 | 149.23 | R37 | 7.92 | 11.91 | 0.8 | 11.9 | 9.73 | 11.6 | - | 9.98 | 100 | 4 |
| 49 | 51 | 97 | - | 235.0 | 8 | 22 | 210 | 180.98 | R41 | 7.92 | 11.91 | 0.8 | 16.2 | 12.5 | 15.8 | - | 12.7 | (125) | 5 |
| 51 | 52 | 97 | - | 269.9 | 12 | 22 | 241 | 211.12 | R45 | 7.92 | 11.91 | 0.8 | 21.1 | 16.2 | 21.3 | - | 16.5 | 150 | 6 |
| 60 | 62 | 110 | - | 330.2 | 12 | 26 | 302 | 269.88 | R49 | 7.92 | 11.91 | 0.8 | 32.9 | 24.8 | 34.6 | - | 25.2 | 200 | 8 |
| 65 | 95 | 116 | - | 387.4 | 16 | 29 | 356 | 323.85 | R53 | 7.92 | 11.91 | 0.8 | 47.4 | 35.5 | 54.0 | - | 40.2 | 250 | 10 |
| 71 | 102 | 129 | - | 450.8 | 16 | 32 | 413 | 381.00 | R57 | 7.92 | 11.91 | 0.8 | 69.0 | 51.0 | 79.0 | - | 59.0 | 300 | 12 |
| 75 | 111 | 141 | - | 514.4 | 20 | 32 | 457 | 419.10 | R61 | 7.92 | 11.91 | 0.8 | 95.0 | 70.0 | 106.0 | - | 83.0 | 350 | 14 |
| 81 | 121 | 144 | - | 571.5 | 20 | 35 | 508 | 469.90 | R65 | 7.92 | 11.91 | 0.8 | 122.0 | 90.0 | 139.0 | - | 104.0 | 400 | 16 |
| 87 | 130 | 157 | - | 628.6 | 24 | 35 | 575 | 533.40 | R69 | 7.92 | 11.91 | 0.8 | 153.0 | 109.0 | 175.0 | - | 129.0 | 450 | 18 |
| 94 | 140 | 160 | - | 685.8 | 24 | 35 | 635 | 584.20 | R73 | 9.52 | 13.49 | 1.5 | 188.0 | 135.0 | 221.0 | - | 159.0 | 500 | 20 |
| 102 | - | 165 | - | 743.0 | 24 | 42 | 686 | 635.00 | R81 | 11.13 | 15.09 | 1.5 | 235.0 | 160.0 | 272.0 | - | - | 550 | 22 |
| 105 | 152 | 167 | - | 812.8 | 24 | 42 | 749 | 692.15 | R77 | 11.13 | 16.66 | 1.5 | 278.0 | 204.0 | 341.0 | - | 239.0 | 600 | 24 |